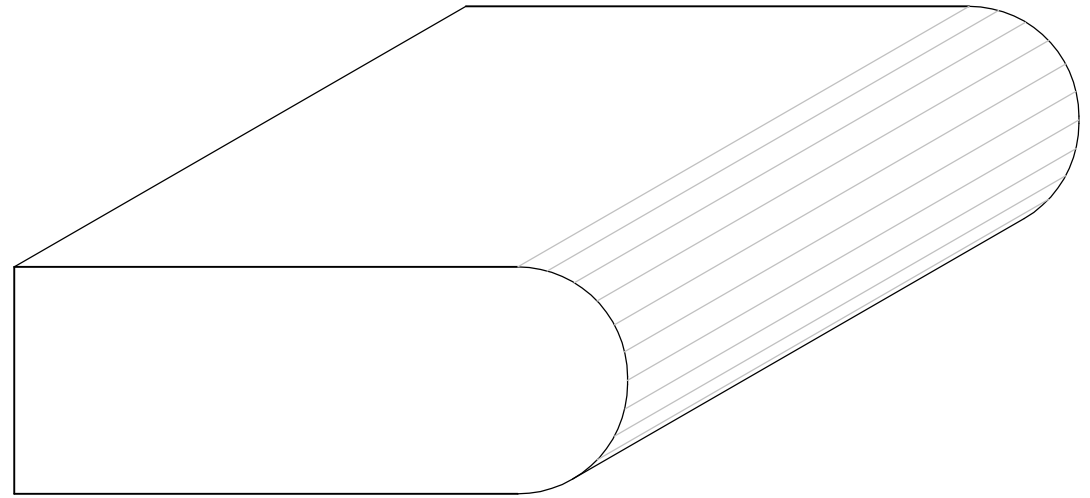
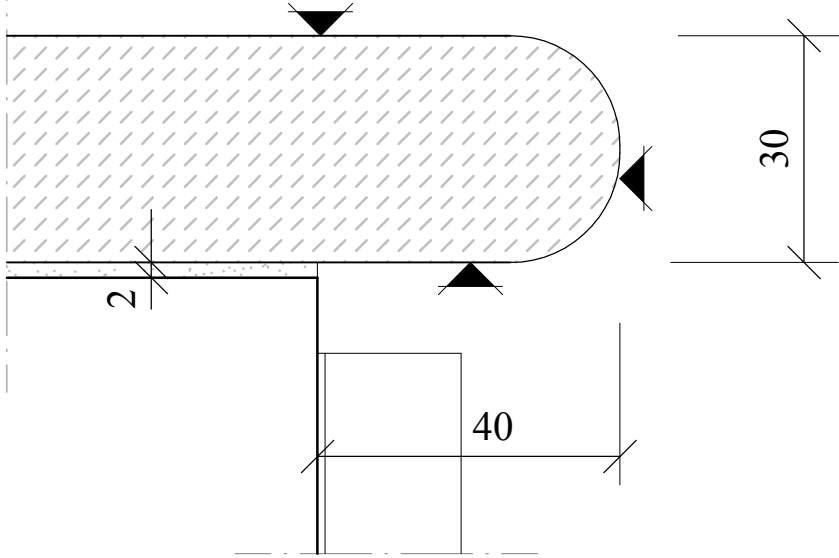


"V" R15/180°



"M"

