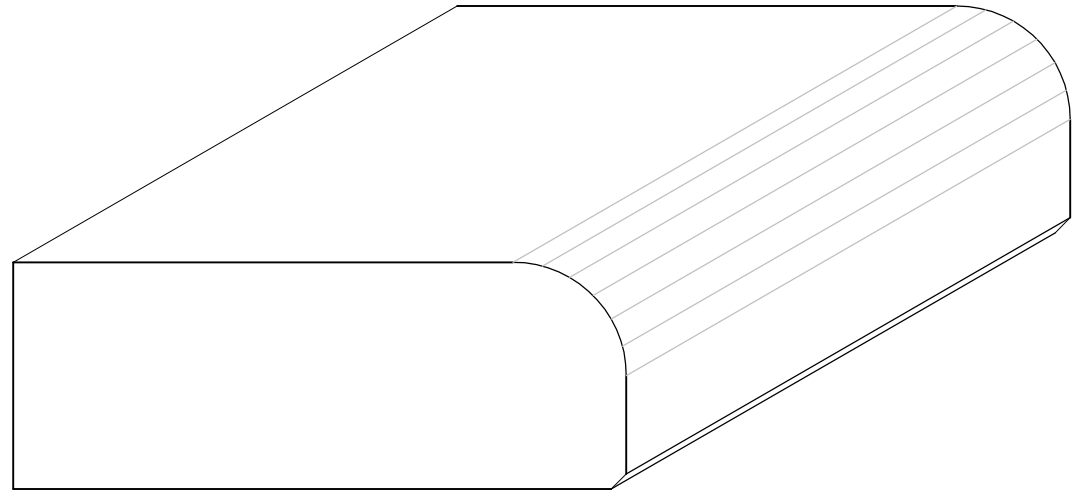
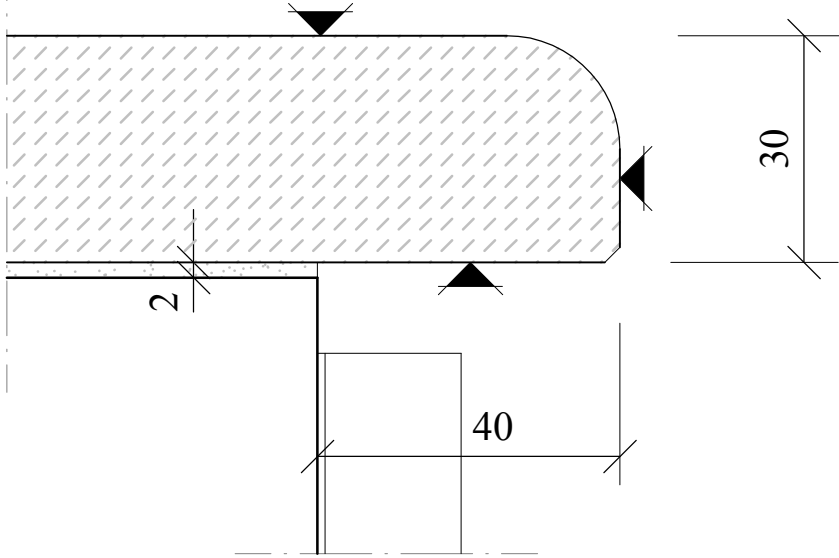


"A2" R15/90°



"B" R30/90°

